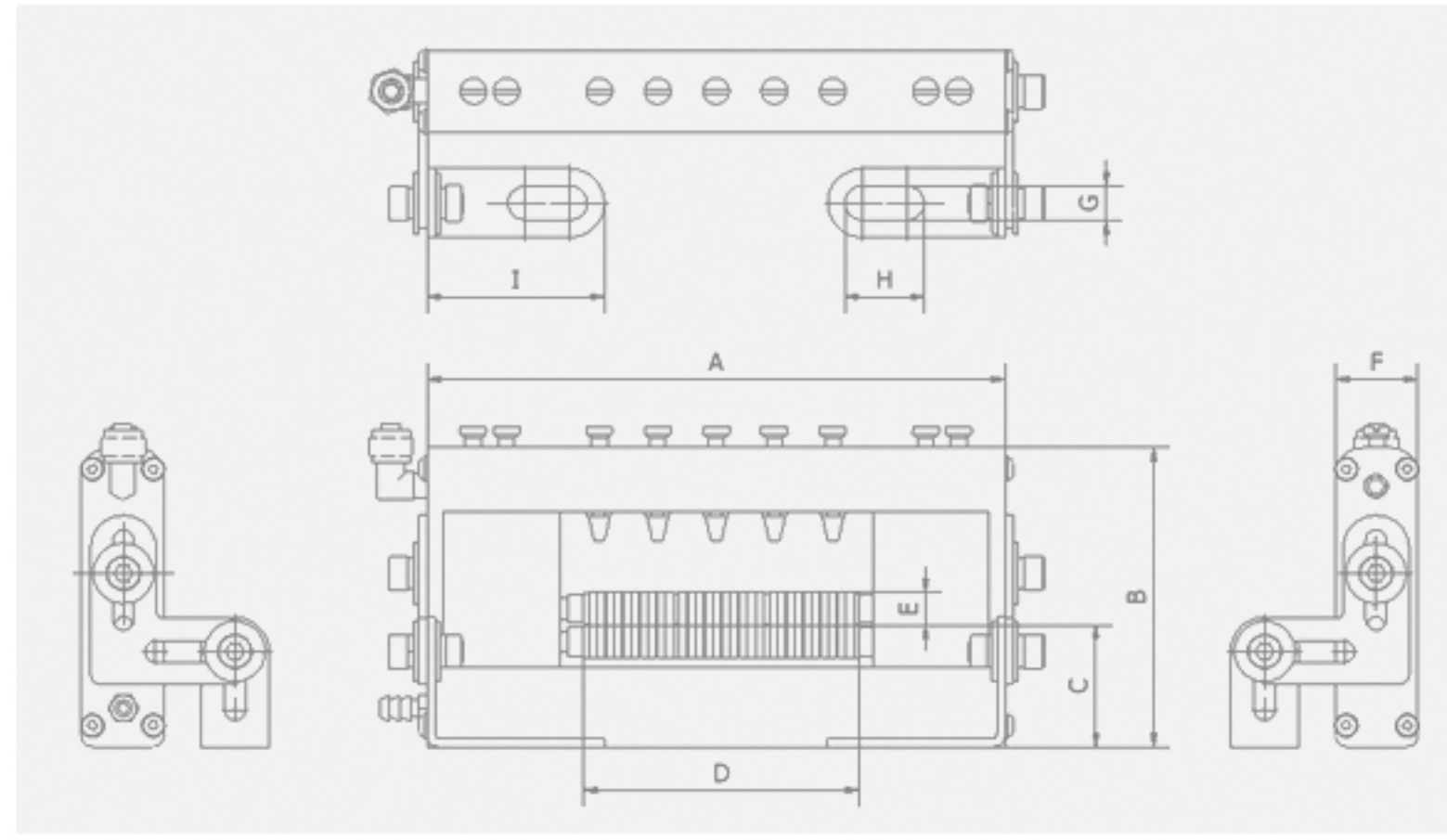


可調式材料雙面給油機尺寸表



型式	A	B	C	D	E	F	G	H	I
AT-65	189	142	57	65	Ø32	45	13	30	58.5
AT-80	204	142	57	80	Ø32	45	13	30	58.5
AT-100	224	142	57	100	Ø32	45	13	30	58.5
AT-150	274	142	57	150	Ø32	45	13	30	58.5
AT-200	324	142	57	200	Ø32	45	13	30	58.5
AT-250	374	142	57	250	Ø32	45	13	30	58.5
AT-300	424	142	57	300	Ø32	45	13	30	58.5
AT-400	524	142	57	400	Ø32	45	13	30	58.5
AT-500	624	142	57	500	Ø32	45	13	30	58.5
AT-600	724	142	57	600	Ø32	45	13	30	58.5
AT-700	824	142	57	700	Ø32	45	13	30	58.5
AT-800	924	142	57	800	Ø32	45	13	30	58.5
AT-900	1024	142	57	900	Ø32	45	13	30	58.5
AT-1000	1124	142	57	1000	Ø32	45	13	30	58.5
AT-1100	1224	142	57	1100	Ø32	45	13	30	58.5
AT-1200	1324	142	57	1200	Ø32	45	13	30	58.5
AT-1300	1424	142	57	1300	Ø32	45	13	30	58.5